

MVSA-180 series

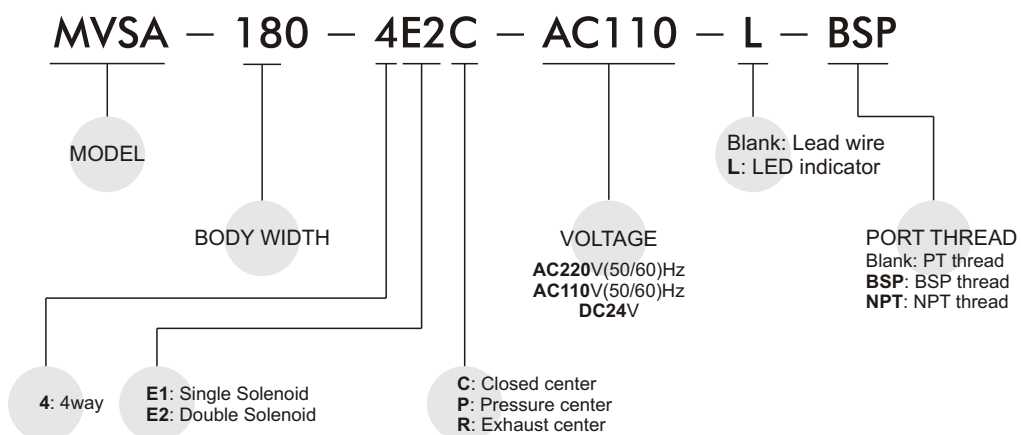
SOLENOID VALVE



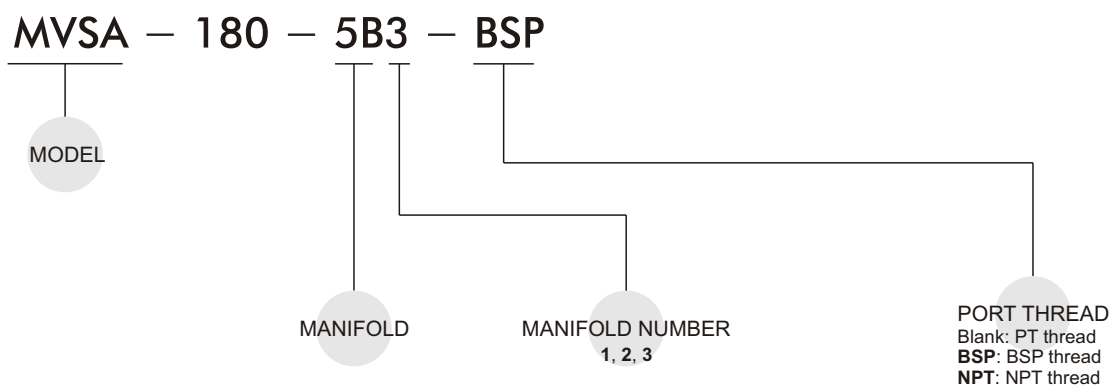
Specification:

Model	MVSA-180-4E1	MVSA-180-4E2	MVSA-180-4E2C.P.R
Bore No.	6A		
Port size	PT 1/8		
No. of port	5		
No. of position	2	2	3
Medium	Air		
Operating pressure range	1.5~8 kgf/cm ²		2~7 kgf/cm ²
Proof pressure	10 kgf/cm ²		
Effective orifice	12 mm ²	12 mm ²	9 mm ²
Response time	30 ms		
Ambient temperature	-5~ +50°C (No freezing)		
Voltage	AC110V, 220V (50/60)Hz, DC24V		
Power consumption	AC=2.1/1.8VA, DC=1.6W		
Available voltage range	± 10%		
Insulation class	B class		
Weight	100 g	143 g	155 g

Order example of valve:



Order example of manifold:



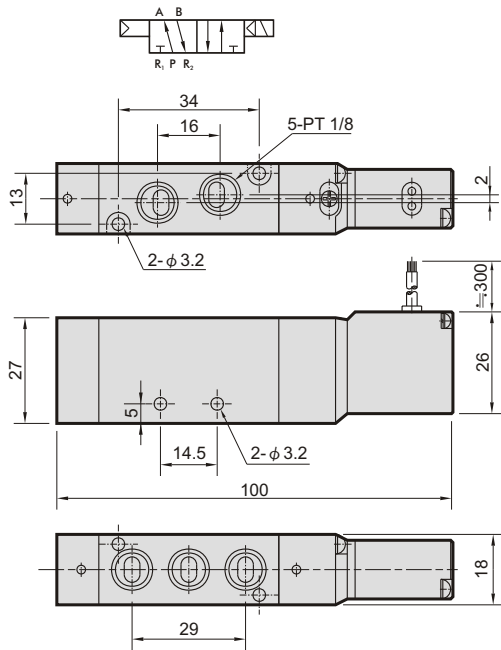
MVSA-180

SOLENOID VALVE

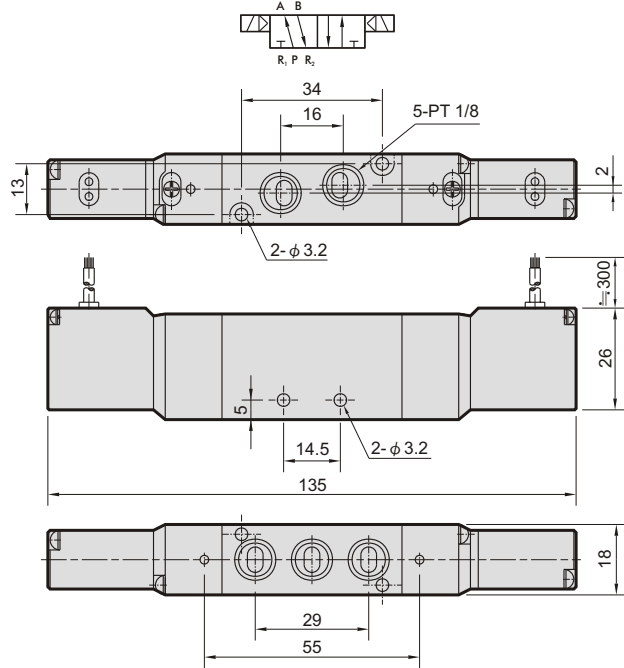


Dimensions:

MVSA-180-4E1

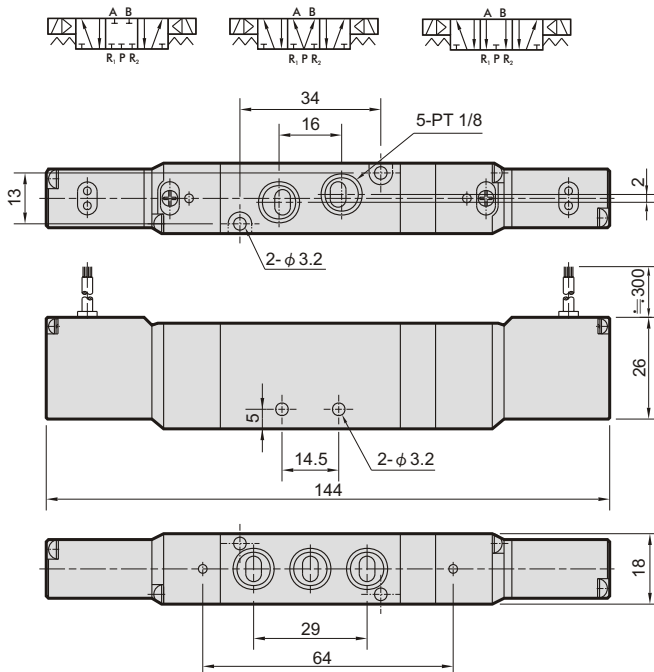


MVSA-180-4E2

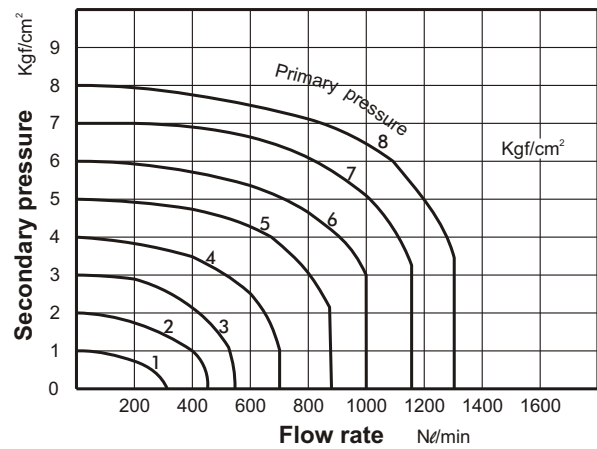


MVSA-180-4E2C.PR

MVSA-180-4E2C MVSA-180-4E2P MVSA-180-4E2R



Flow features:



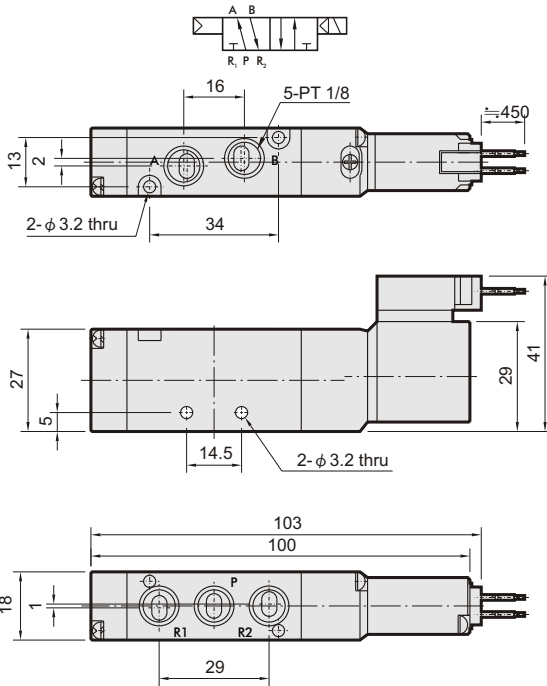
MVSA-180

SOLENOID VALVE

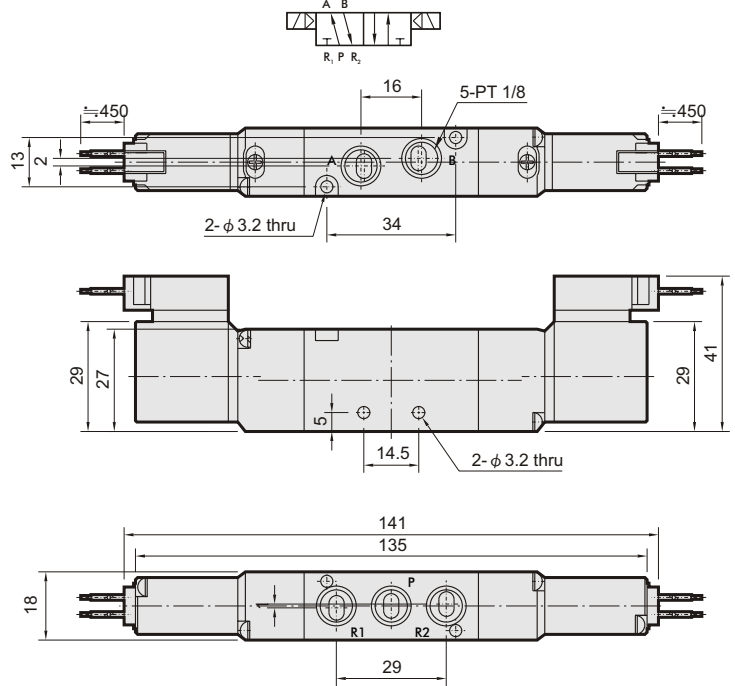


Dimensions:

MVSA-180-4E1-L

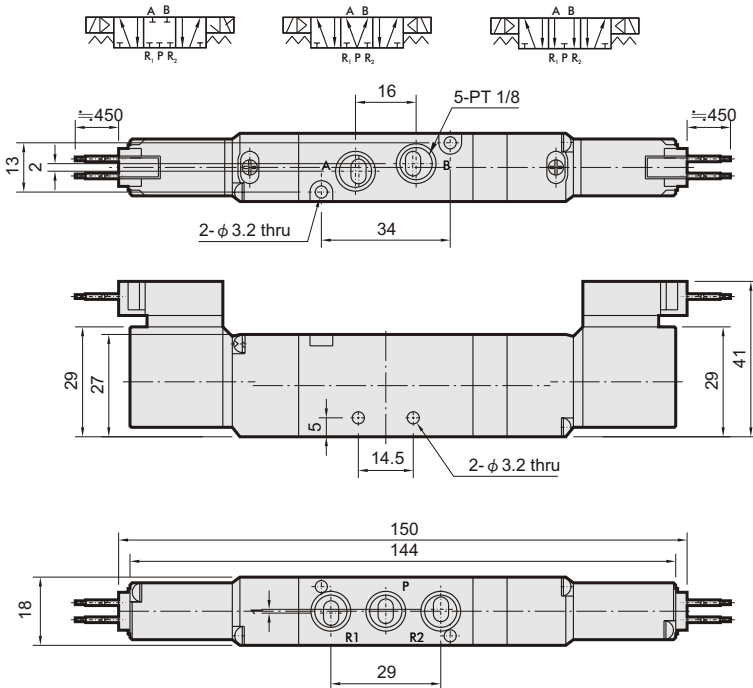


MVSA-180-4E2-L



MVSA-180-4E2C.PR-L

MVSA-180-4E2C-L MVSA-180-4E2P-L MVSA-180-4E2R-L



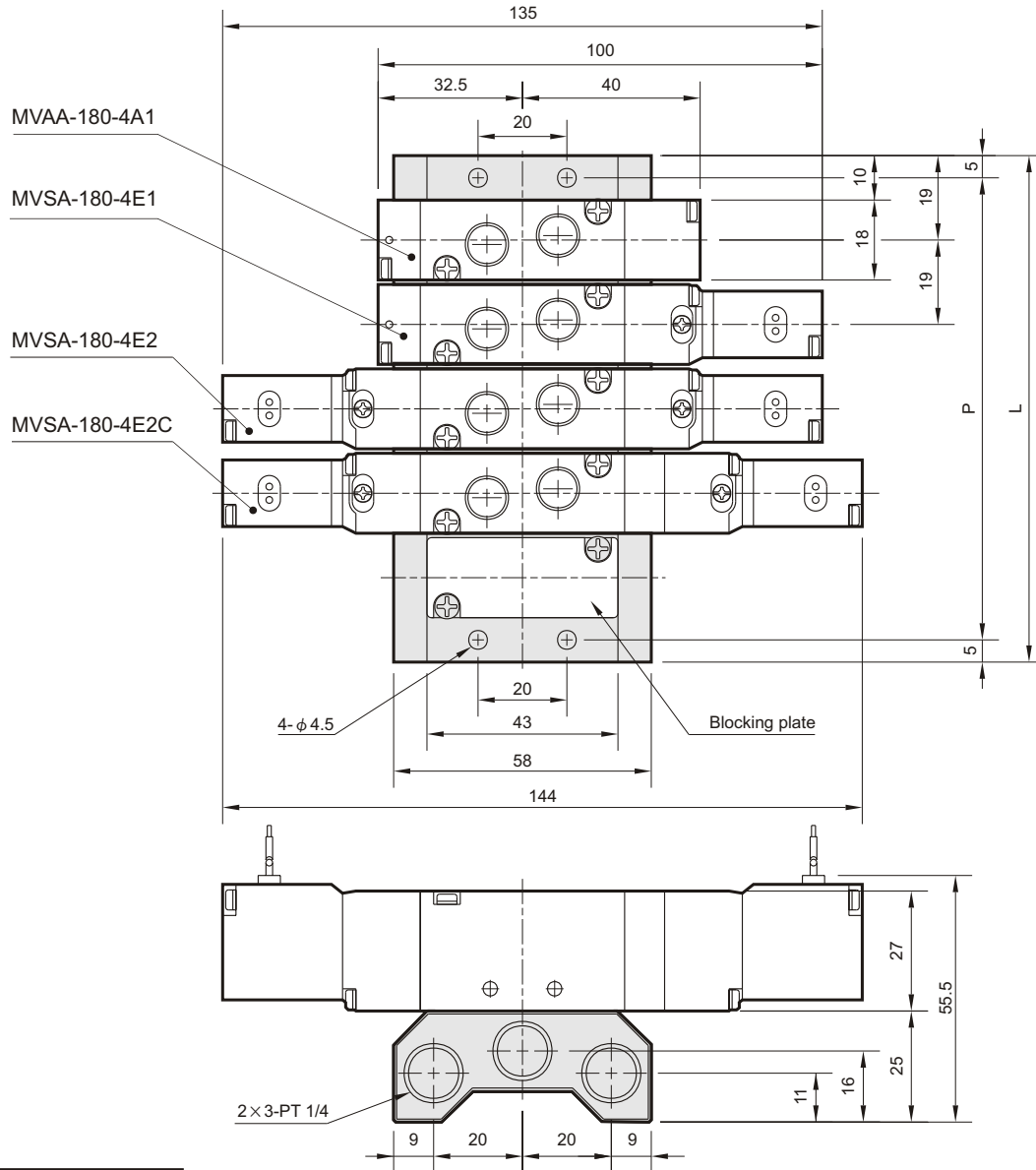
MVSA-180

SOLENOID VALVE



Manifold of solenoid valve:

MVSA-180-5B*



No. of stations	P	L
2	47	57
3	66	76
4	85	95
5	104	114
6	123	133
7	142	152
8	161	171
9	180	190
10	199	209